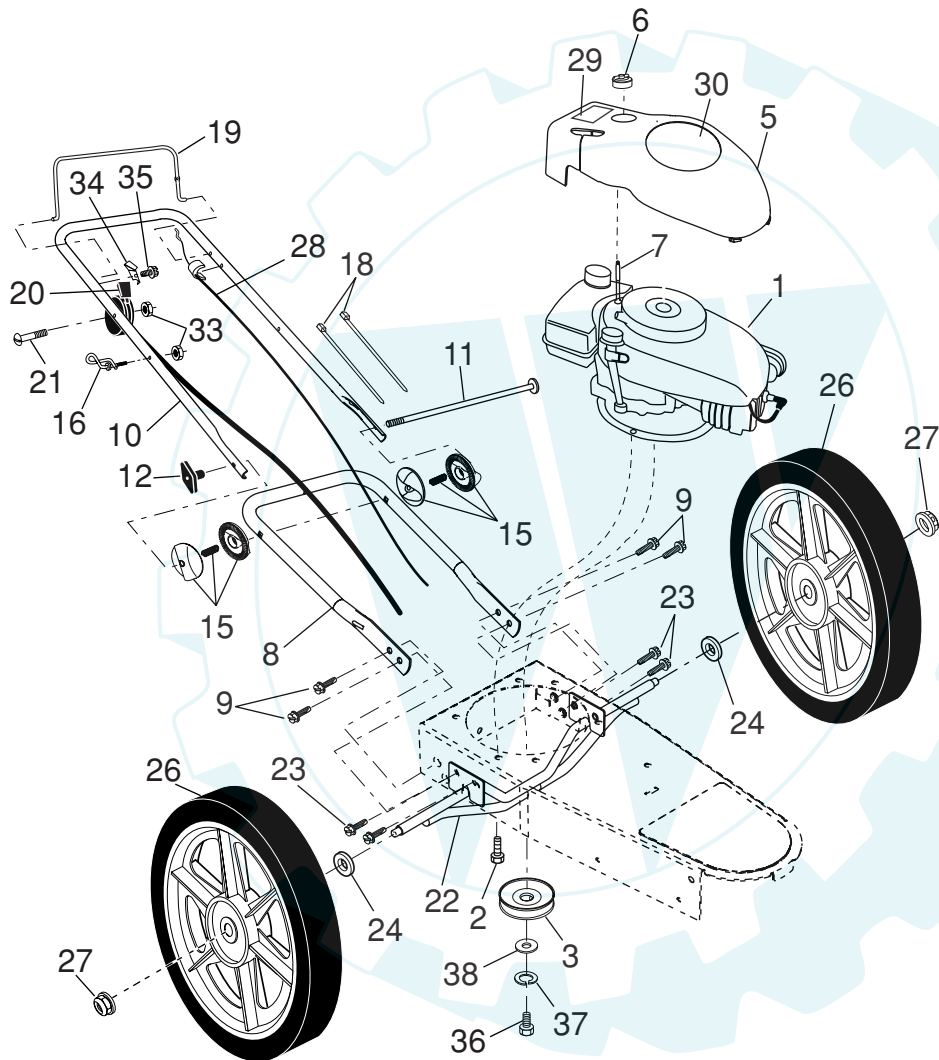
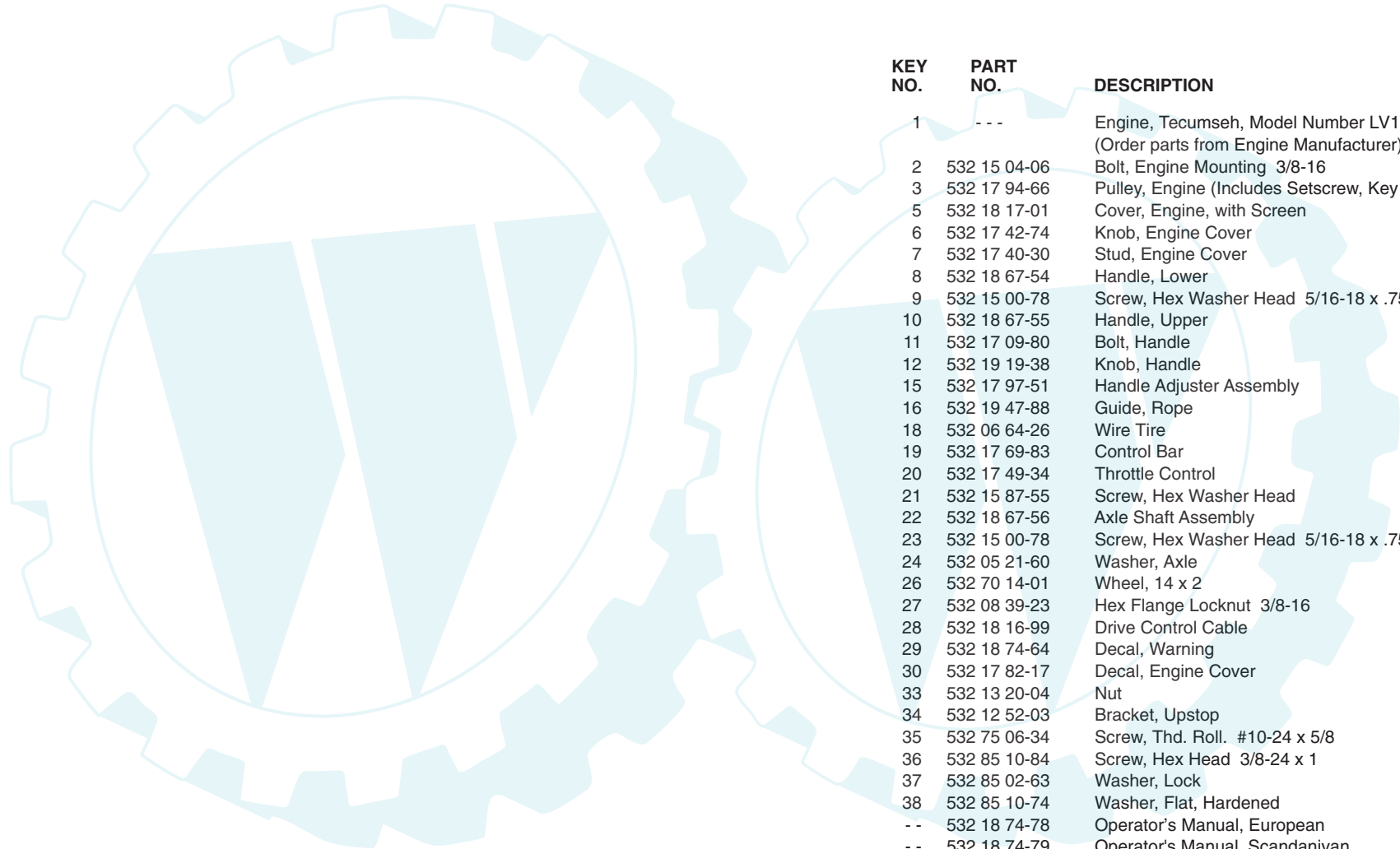


REPAIR PARTS MANUAL
MODEL NUMBER RWT42014
(MFG. ID NUMBER 96171000101)
Wheeled Weed Trimmer

Rally

Rally





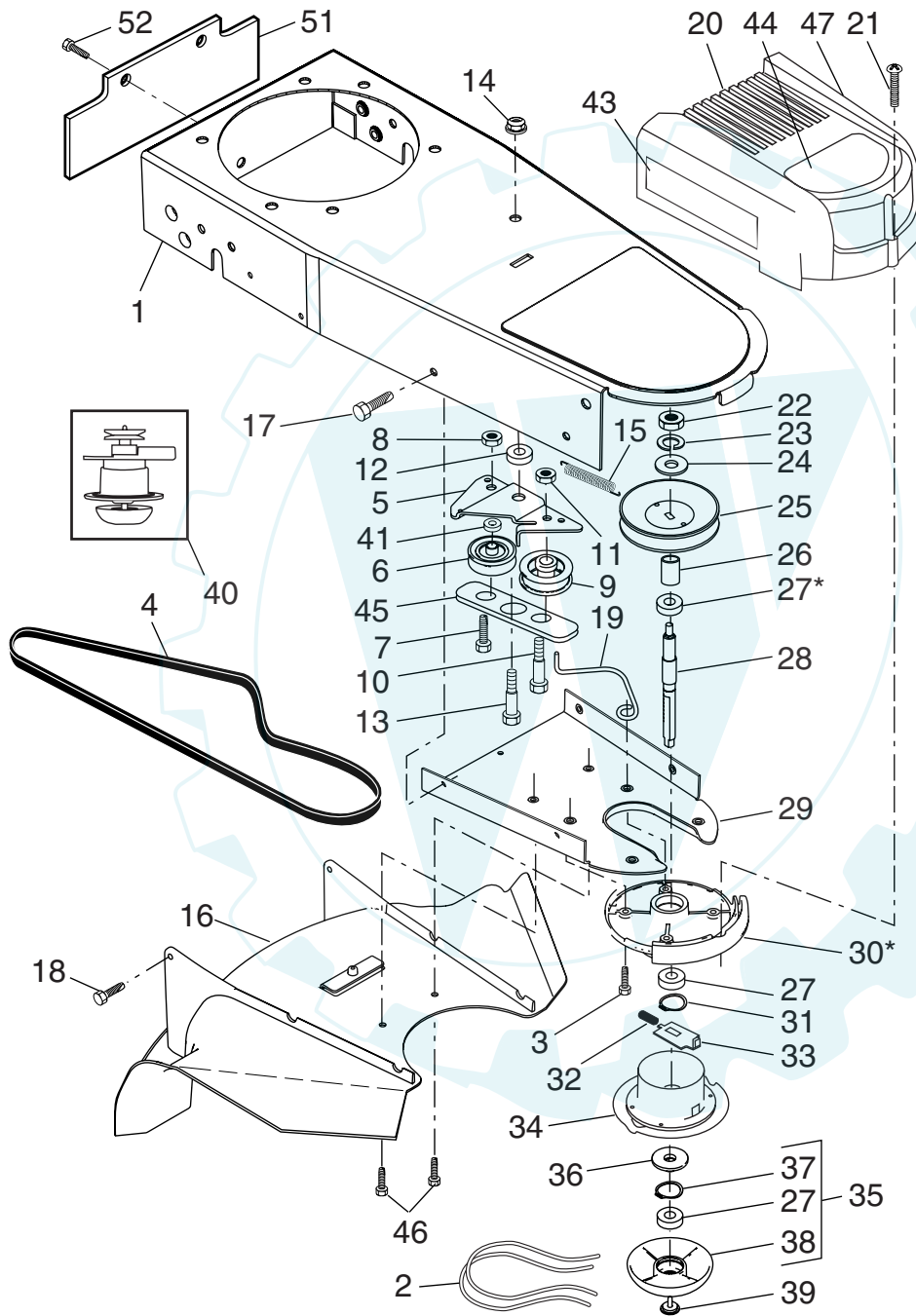
KEY NO.	PART NO.	DESCRIPTION
1	---	Engine, Tecumseh, Model Number LV195EA (Order parts from Engine Manufacturer)
2	532 15 04-06	Bolt, Engine Mounting 3/8-16
3	532 17 94-66	Pulley, Engine (Includes Setscrew, Key #4)
5	532 18 17-01	Cover, Engine, with Screen
6	532 17 42-74	Knob, Engine Cover
7	532 17 40-30	Stud, Engine Cover
8	532 18 67-54	Handle, Lower
9	532 15 00-78	Screw, Hex Washer Head 5/16-18 x .75
10	532 18 67-55	Handle, Upper
11	532 17 09-80	Bolt, Handle
12	532 19 19-38	Knob, Handle
15	532 17 97-51	Handle Adjuster Assembly
16	532 19 47-88	Guide, Rope
18	532 06 64-26	Wire Tire
19	532 17 69-83	Control Bar
20	532 17 49-34	Throttle Control
21	532 15 87-55	Screw, Hex Washer Head
22	532 18 67-56	Axle Shaft Assembly
23	532 15 00-78	Screw, Hex Washer Head 5/16-18 x .75
24	532 05 21-60	Washer, Axle
26	532 70 14-01	Wheel, 14 x 2
27	532 08 39-23	Hex Flange Locknut 3/8-16
28	532 18 16-99	Drive Control Cable
29	532 18 74-64	Decal, Warning
30	532 17 82-17	Decal, Engine Cover
33	532 13 20-04	Nut
34	532 12 52-03	Bracket, Upstop
35	532 75 06-34	Screw, Thd. Roll. #10-24 x 5/8
36	532 85 10-84	Screw, Hex Head 3/8-24 x 1
37	532 85 02-63	Washer, Lock
38	532 85 10-74	Washer, Flat, Hardened
--	532 18 74-78	Operator's Manual, European
--	532 18 74-79	Operator's Manual, Scandanivan
--	532 40 08-68	Repair Parts Manual, English

NOTE: All component dimensions given in U.S. inches. 1 inch = 25.4 mm.

IMPORTANT: Use only Original Equipment Manufacturer (O.E.M.) replacement parts. Failure to do so could be hazardous, damage your lawn mower and void your warranty.

WEED TRIMMER - - MODEL NO. RWT42014 (96171000101)
PRODUCT NUMBER 961 71 00-01

WEED TRIMMER - - MODEL NO. RWT42014 (96171000101)
PRODUCT NUMBER 961 71 00-01



KEY NO.	PART NO.	DESCRIPTION
1	532 18 67-50	Chassis Assembly
2	532 17 40-40	Line, Trimmer .155 diameter x 18.75 long
3	532 17 37-15	Screw, Self-Tapping 5/16-18 x 1
4	532 18 54-76	V-Belt
5	532 18 67-51	Bracket, Idler
6	532 16 60-42	Pulley, Idler, V-Groove
7	532 17 37-16	Bolt, Hex Head 3/8-16 x 1.25
8	532 75 15-92	Locknut, Hex 3/8-16
9	532 16 60-43	Pulley, Idler, Flat
10	532 16 08-29	Bolt, Shoulder
11	532 15 55-52	Locknut 5/16-18
12	532 17 37-17	Spacer
13	532 17 47-19	Bolt, Shoulder
14	532 14 52-12	Locknut, Flange
15	532 17 38-11	Spring, Return
16	532 18 02-68	Deflector, Bottom
17	532 05 78-08	Screw 1/4-20 x 1/2
18	532 17 88-48	Screw #10-24 x 3/4
19	532 18 73-36	Belt Keeper
20	532 17 83-90	Cover, Chassis, Top
21	532 14 97-46	Screw #10-24 x 1-3/4
22	873 80 06-00	Nut, Hex 3/8-24 UNF
23	810 04 06-00	Washer, Lock 3/8
24	532 05 17-85	Washer, Flat 3/8
25	532 18 03-40	Pulley, Driven
26	532 17 25-51	Spacer, Pulley
27	532 17 45-49	Bearing
28	532 17 26-03	Jackshaft
29	532 18 67-52	Cover, Chassis, Bottom
30	532 17 45-43	Spindle Housing Assembly (* Includes Upper Bearing, Key No. 27)
31	532 17 45-81	Ring, Retaining, External, 17mm
32	532 17 39-73	Spring, Locking Plate
33	532 17 25-19	Locking Plate
34	532 18 03-38	Carrier Plate Assembly
35	532 18 22-17	Mow Ball Assembly (Includes Key Numbers 27, 37 and 38)
36	532 17 25-16	Cover, Bearing
37	532 17 45-80	Ring, Retaining, Internal, 40mm
38	532 17 25-23	Mow Ball
39	532 18 03-34	Bolt, Mow Ball
40	532 18 03-33	Spindle Assembly, Complete (Includes Key No. 22-28 and 30-39)
41	532 17 40-29	Spacer
42	532 18 74-58	Decal, Warning (not shown)
43	532 17 40-42	Decal, Instruction
44	532 19 74-53	Decal, Chassis Cover
45	532 18 67-53	Belt Keeper, Bottom
46	817 06 04-08	Screw, Self-Tapping
47	532 18 22-05	Decal, Instruction
51	532 18 90-06	Deflector, Rear
52	532 17 88-48	Screw

NOTE: All component dimensions given in U.S. inches. 1 inch = 25.4 mm.
IMPORTANT: Use only Original Equipment Manufacturer (O.E.M.) replacement parts.
 Failure to do so could be hazardous, damage your lawn mower and void your warranty.